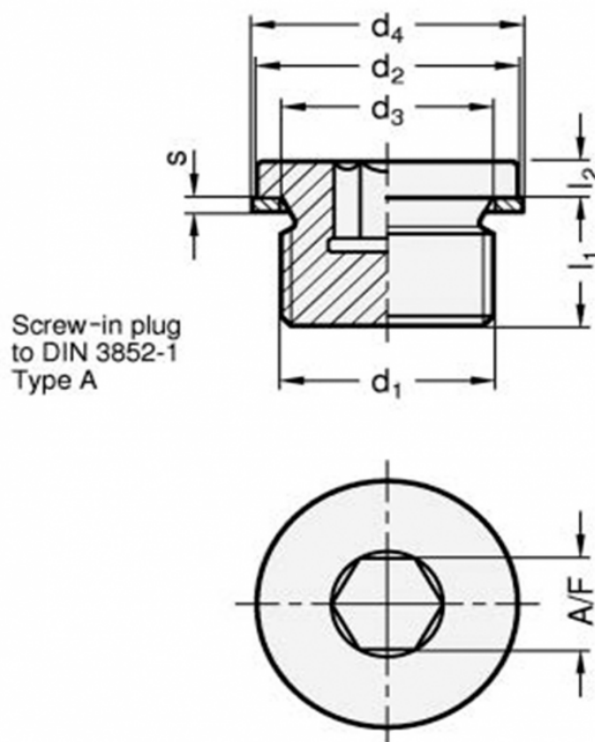


Article number: 20908STM1815AC

Description: E+G Threaded plug DIN 908-ST-M18x15-AC

## Measures



A/F	= 8
d1	= M18x15
d2h14	= 23
d3	= 18.3
d4	= 22
l1	= 12
l2	= 4
s	= 1.5

Weight in (g) = 30